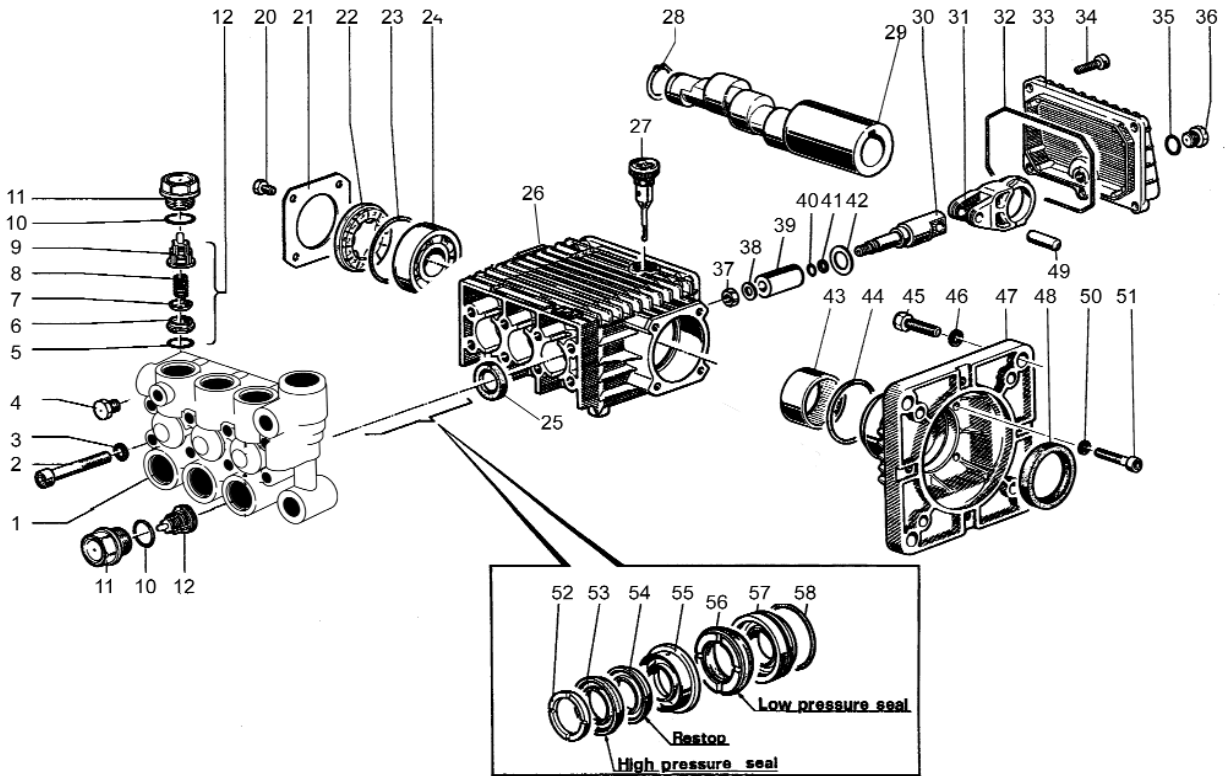


EZ Series (Electric)

This pump uses 30 wt. oil



PARTS LIST

Item	Code	Description	Kit No.	Qty	Item	Code	Description	Kit No.	Qty
1	44120541	Brass manifold, 18mm		1	34	99183700	Screw		5
2	99317500	Bolt		8	35	90358500	O-ring	K100856	1
3	96701400	Washer		8	36	98204100	Plug		1
4	98196600	Plug		1	37	92221600	Nut		3
5	N/A	O-ring	K123	6	38	96700800	Bushing		3
6	N/A	Valve seat	K123	6	39	44040109	Plunger, 18mm		3
7	N/A	Valve poppet	K123	6	40	90357200	O-ring		3
8	N/A	Valve spring	K123	6	41	90502200	Anti-Ext ring		3
9	N/A	Valve cage	K123	6	42	96735000	Flinger washer		3
10	90384700	O-ring		6	43	N/A	Needle bearing		1
11	98222600	Valve cap		6	44	N/A	O-ring	K100856	1
12	N/A	Valve Assy, complete	K123	6	45	N/A	Bolt		4
20	99180700	Bolt		4	46	N/A	Washer		4
21	50150074	Side cover plate		1	47	10050422	Flange, ele		1
22	44211801	Sight glass		1	48	N/A	Oil seal	K100856	1
23	90409700	O-ring	K100856	1	49	N/A	Wrist pin		3
24	N/A	Bearing		1	50	96693800	Washer		4
25	N/A	Oil seal	K100856	3	51	99191200	Screw		4
26	N/A	Crankcase		1	52	N/A	Head ring, 18mm	K100779	3
27	98210300	Dipstick		1	53	N/A	HP Packing, 18mm	K100780	3
28	N/A	Clip		1	54	N/A	Restop ring, 18mm	K100780	3
29	N/A	Crankshaft, ele		1	55	N/A	Intermediate ring, 18mm	K100779	3
30	N/A	Piston guide		3	56	N/A	LP Packing, 18mm	K100780	3
31	N/A	Connecting rod		3	57	N/A	LP Retainer, 18mm	K100779	3
32	N/A	O-ring	K100856	1	58	N/A	O-ring	K100780	3
33	44160022	Back cover		1					

REPAIR KITS

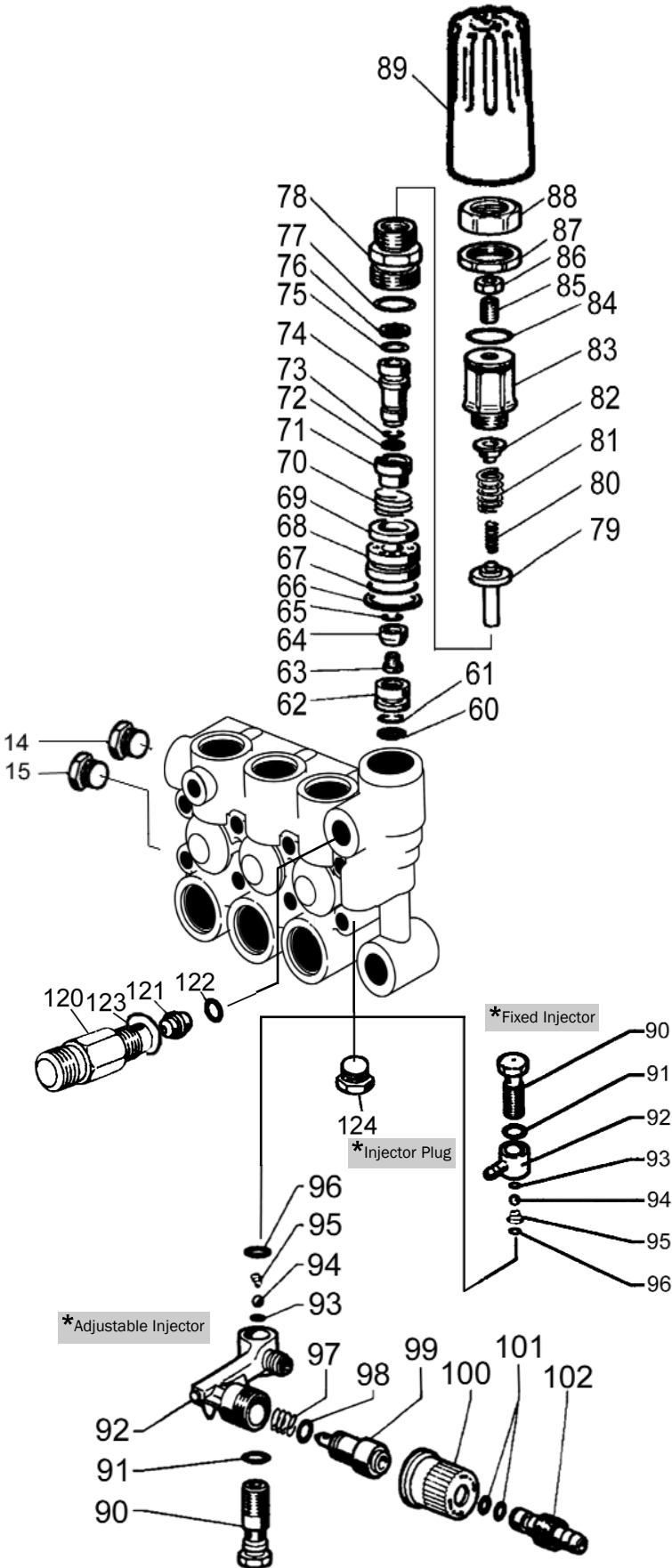
Kit No.	K123	K100780	K100779	K100856
Item No.s Included In Kit	5,6,7, 8,9 (12)	53,54, 56,58	52,55, 57	23,25,32, 35,44, 48
Number Of Assemblies In Kit	6	3	3	-
Description	Valve Kit	Seal Kit	Seal Hrdw	Oil Seal Kit

TORQUE SPECS*

Position	Ft.-lbs.	N-M
2	14.7	20
4	9.6	13
11	73.7	100
20	7.3	10
34	7.3	10
36	14.7	20
37	11.0	15
45	14.7	20
51	7.3	10

*Decrease torque by 20% if threads are lubricated

UI Manifold (EZ Series)



PARTS LIST

Item	Code	Description	Kit No.	Qty
14	98210000	Plug 3/8" G		1
15	98217600	Plug 1/2" G		1
60	N/A	Anti-Ext ring	K137	1
61	N/A	O-ring	K137	1
62	N/A	Seat	K137	1
63	N/A	Screw	K137	1
64	N/A	Spherical valve	K137	1
65	N/A	O-ring	K137	1
66	N/A	Anti-Ext ring	K137	1
67	N/A	O-ring	K137	1
68	N/A	Valve guide	K137	1
69	N/A	Valve	K137	1
70	N/A	Spring	K137	1
71	N/A	Spacer	K137	1
72	N/A	Anti-Ext ring	K137	1
73	N/A	O-ring	K137	1
75	N/A	O-ring	K137	1
76	N/A	Anti-Ext ring	K137	1
77	90385700	O-ring		1
78	36322870	Guide bushing		1
79	36323370	Stem		1
80	94734500	Spring		1
81	94743600	Spring		1
82	36316970	Spring seat		1
83	36318570	Regulator knob		1
84	90359800	O-ring		1
85	99305400	Set screw		1
86	92221800	Nut		1
87	92293500	Locking nut		1
88	36318670	Locking sleeve		1
89	36322151	Handle		1
90	36256370	Banjo bolt, Injector		1
91	N/A	O-ring	K94	1
92	36318151	Injector, Adjustable		1
	36260451	Injector, Fixed		1
93	N/A	O-ring	K94	1
94	N/A	Ball	K94	1
95	N/A	Conical spring	K94	1
96	N/A	O-ring	K94	1
97	N/A	Spring	K94	1
98	90358000	O-ring	K94	1
99	36256470	Shutter		1
100	36256551	Knob		1
101	90357000	O-ring	K94	2
102	36256670	Hose barb		1
120	10014770	Disch nipple		1
121	10015166	Nozzle 2.0mm (w/ injector only)		1
	10007666	Nozzle 2.2mm (w/ injector only)		1
122	90382200	O-ring (w/ injector only)	K94	1
123	90383200	O-ring	K94	1
124	98205700	Plug, injector M14x1.5		1

REPAIR KITS

Kit No.	K94 (Injector)	K137 (Unloader)
Item No's included in kit	91,93,94,95, 96,97,98,101, 122,123	60,61,62,63,64,65, 66,67,68,69,70,71, 72,73,74,75,76
Qty	1	1

*Your pump is equipped with one of these 2 types of injector's or a plug.