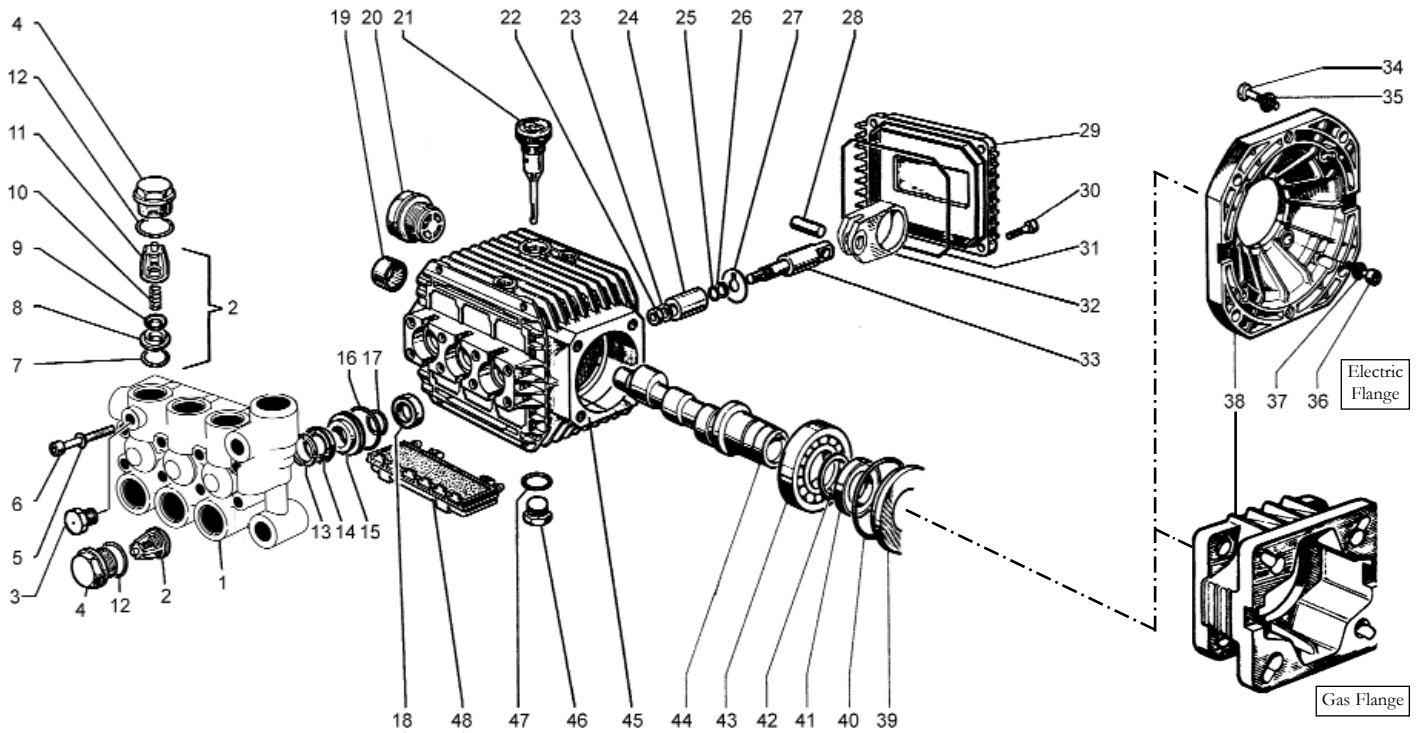


TT Series (Gas / Electric)

This pump uses 30 wt. oil



PARTS LIST

| Pos. | Code | Description | Kit No. | Qty | Pos. | Code | Description | Kit No. | Qty |
|------|----------|-----------------------|---------|-----|------|----------|------------------|---------|-----|
| 1 | 55120122 | Manifold, Alum Nickel | | 1 | 25 | 90357200 | O-ring | | 3 |
| 2 | N/A | Valve assy, comp | K01 | 6 | 26 | 90502200 | Anti-Ext ring | | 3 |
| 3 | 98204100 | Plug 1/4 x 9 G | | 1 | 27 | 96707000 | Flinger washer | | 3 |
| 4 | 98221800 | Valve plug | | 6 | 28 | N/A | Wrist pin | | 3 |
| 5 | 96693800 | Washer | | 8 | 29 | 51160022 | Back cover | | 1 |
| 6 | 99194300 | Head bolt | | 8 | 30 | 99186700 | Screw | | 4 |
| 7 | N/A | O-ring | K01 | 6 | 31 | N/A | O-ring | K100859 | 1 |
| 8 | N/A | Valve seat | K01 | 6 | 32 | N/A | Connecting rod | | 3 |
| 9 | N/A | Valve poppet | K01 | 6 | 33 | N/A | Piston guide | | 3 |
| 10 | N/A | Valve spring | K01 | 6 | 34 | N/A | Screw | | 4 |
| 11 | N/A | Valve cage | K01 | 6 | 35 | N/A | Washer | | 4 |
| 12 | 90384700 | O-ring | | 6 | 36 | 99186700 | Screw | | 4 |
| 13 | N/A | Head-ring 15mm | K97 | 3 | 37 | 96693800 | Washer | | 4 |
| 14 | N/A | HP Packing 15mm | K97 | 3 | 38 | 10034622 | Flange, Gas | | 1 |
| 15 | 51080070 | Retainer 15mm | | 3 | | 10034422 | Flange, Electric | | 1 |
| 16 | N/A | O-ring | K97 | 3 | 39 | N/A | Spacer | | 1 |
| 17 | N/A | LP seal | K97 | 3 | 40 | N/A | O-ring | K100859 | 1 |
| 18 | N/A | Oil seal | K100859 | 3 | 41 | N/A | Seal | K100859 | 1 |
| 19 | N/A | Needle bearing | | 1 | 42 | N/A | Clip | | 1 |
| 20 | 97596800 | Sight glass | | 1 | 43 | N/A | Bearing | | 1 |
| 21 | 98210300 | Dipstick | | 1 | 44 | N/A | Crankshaft | | 1 |
| 22 | 92221600 | Nut | | 3 | 45 | N/A | Crankcase | | 1 |
| 23 | 96700800 | Copper washer | | 3 | 46 | 98210000 | Plug | | 3 |
| 24 | 51040009 | Plunger 15mm | | 3 | 47 | 90383300 | O-ring | K100859 | 1 |
| | | | | | 48 | 51209051 | Shield | | 1 |

REPAIR KITS

| Kit No. | K01 | K97 | K100859 |
|-----------------------------|-------------------|--------------|-----------------|
| Item No.s Included In Kit | 7,8,9, 10,11, (2) | 13,14, 16,17 | 18,31,40, 41,47 |
| Number Of Assemblies In Kit | 6 | 3 | - |
| Description | Valve kit | Seal kit | Oil seal kit |

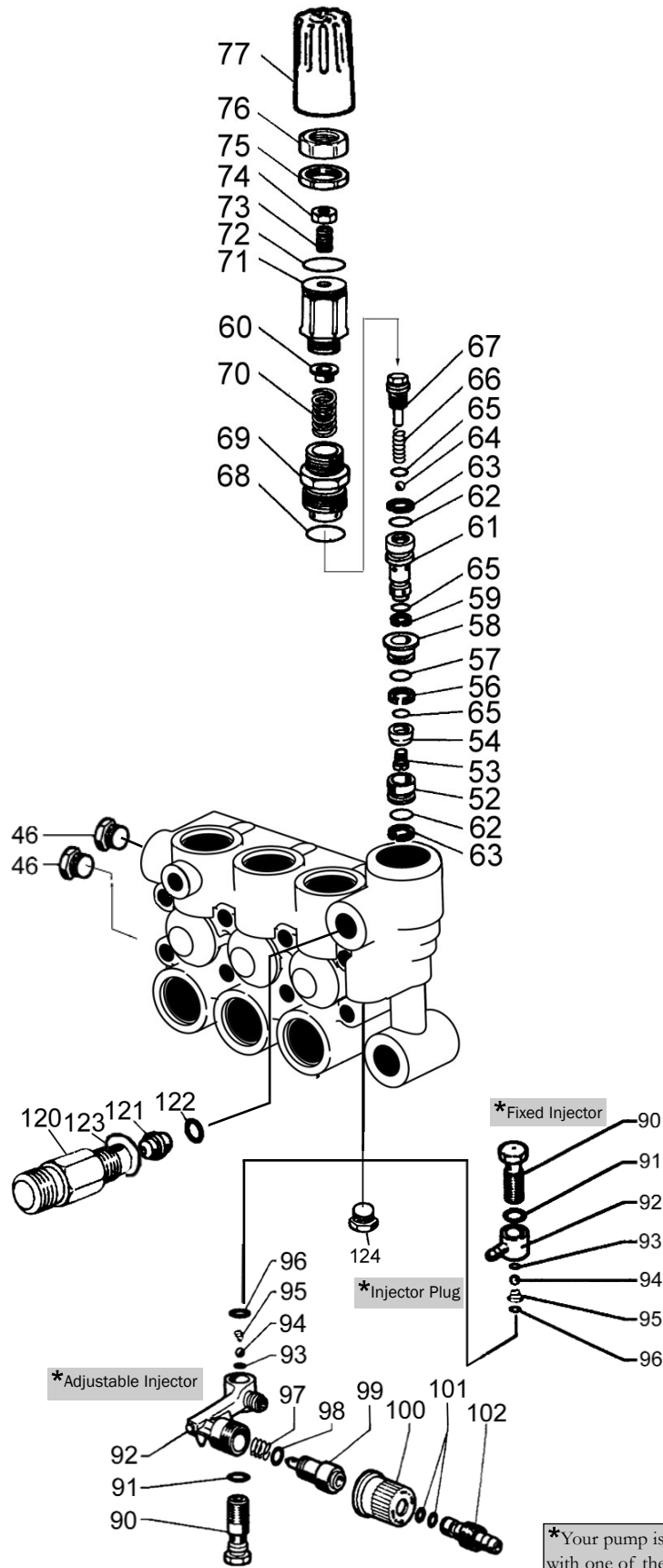
TORQUE SPECS*

| Position | Ft.- lbs |
|----------|----------|
| 3 | 9.6 |
| 4 | 60.0 |
| 6 | 8.8 |
| 20 | 13.2 |
| 22 | 11.0 |
| 30 | 7.3 |
| 34 | 14.7 |
| 36 | 7.3 |
| 46 | 29.4 |

*Decrease torque by 20% if threads are lubricated.

UI Manifold (TT Series)

PARTS LIST



| Pos. | Code | Description | Kit No. | Qty |
|------|----------|--------------------------------|---------|-----|
| 46 | 98210000 | Plug, 3/8 | | 2 |
| 52 | N/A | Seat | K102 | 1 |
| 53 | N/A | Screw | K102 | 1 |
| 54 | N/A | Spherical Valve | K102 | 1 |
| 56 | N/A | Anti-Ext ring | K102 | 1 |
| 57 | N/A | O-ring | K102 | 1 |
| 58 | N/A | Guide | K102 | 1 |
| 59 | N/A | Anti-Ext ring | K102 | 1 |
| 60 | 36316970 | Spring plate | | 1 |
| 61 | N/A | Piston | K102 | 1 |
| 62 | N/A | O-ring | K102 | 2 |
| 63 | N/A | Anti-Ext ring | K102 | 2 |
| 64 | N/A | Ball | K102 | 1 |
| 65 | N/A | O-ring | K102 | 3 |
| 66 | N/A | Spring | K102 | 1 |
| 67 | N/A | Stem | K102 | 1 |
| 68 | N/A | O-ring | K102 | 1 |
| 69 | N/A | Guide | K102 | 1 |
| 70 | 94743600 | Spring | | 1 |
| 71 | 36318570 | Regulator knob | | 1 |
| 72 | 90359800 | O-ring | | 1 |
| 73 | 99305400 | Set screw, M8 | | 1 |
| 74 | 92221800 | Nut, M8 | | 1 |
| 75 | 92293500 | Lock nut | | 1 |
| 76 | 36318670 | Lock sleeve | | 1 |
| 77 | 36322151 | Handle | | 1 |
| 90 | 36256370 | Banjo bolt, Injector | | 1 |
| 91 | N/A | O-ring | K94 | 1 |
| 92 | 36318151 | Adj Injector | | 1 |
| | 36260451 | Fixed Injector | | 1 |
| 93 | N/A | O-ring | K94 | 1 |
| 94 | N/A | Ball | K94 | 1 |
| 95 | N/A | Conical spring | K94 | 1 |
| 96 | N/A | O-ring | K94 | 1 |
| 97 | N/A | Spring | K94 | 1 |
| 98 | 90358000 | O-ring | K94 | 1 |
| 99 | 36256470 | Shutter | | 1 |
| 100 | 36256551 | Knob | | 1 |
| 101 | 90357000 | O-ring | K94 | 2 |
| 102 | 36256670 | Hose barb | | 1 |
| 120 | 10014770 | M22 Nipple | | 1 |
| 121 | 10015166 | Nozzle 2.0mm (w/injector only) | | 1 |
| | 10007666 | Nozzle 2.2mm (w/injector only) | | 1 |
| 122 | 90382200 | O-ring(w/injector only) | K94 | 1 |
| 123 | 90383200 | O-ring | K94 | 1 |
| 124 | 98205700 | Plug, injector M14 x1.5 | | 1 |

REPAIR KITS

| Kit No. | K94 (Injector) | K102 (Unloader) |
|---------------------------|------------------------------------|--|
| Item No's included in kit | 91,93,94,95, 96,97,98,101, 122,123 | 52,53,54,55,56, 57,58,59,61,62,63, 64,65,66,67,68,69 |
| Qty | 1 | 1 |

*Your pump is equipped with one of these 2 types of injectors or a plug.