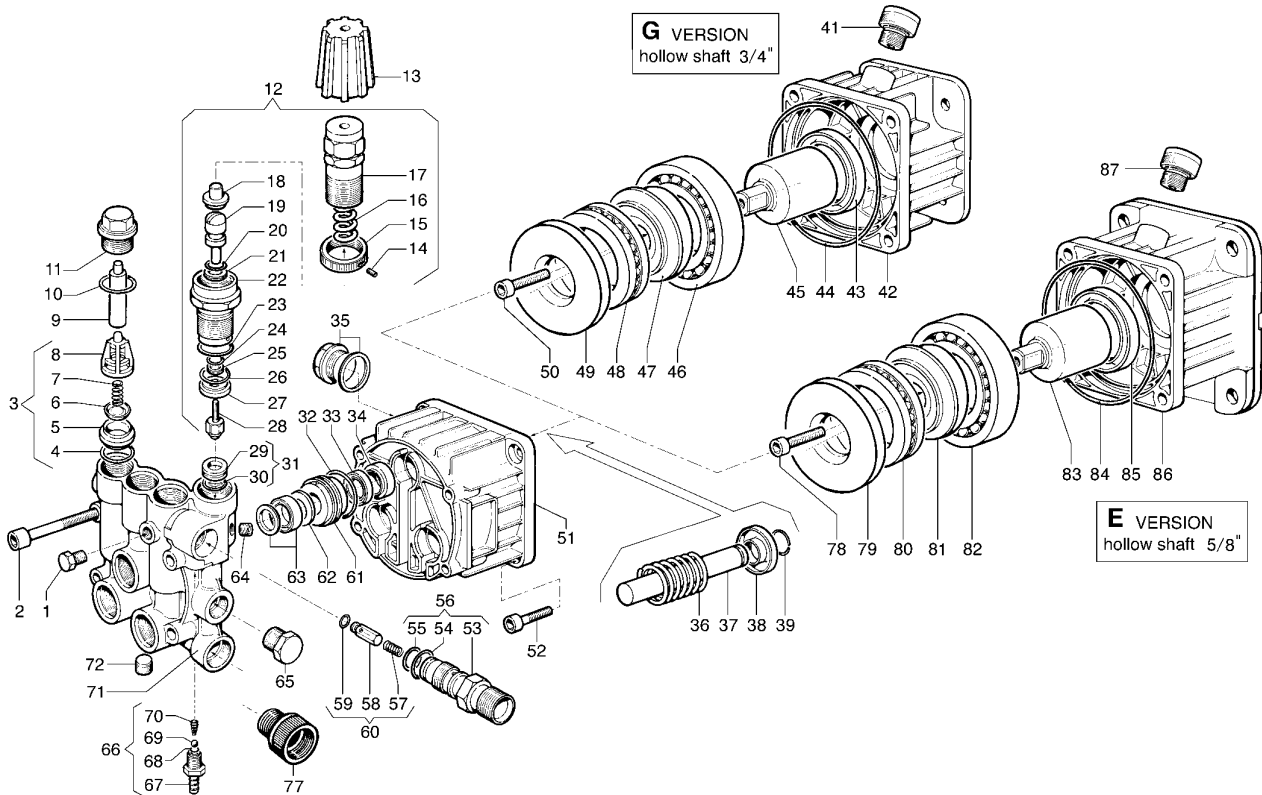


AXD



POS. ITEM	CODICE PART No.	KIT KIT	DESCRIZIONE DESCRIPTION	Q.tà Qty.	MODELLI MODELS
1	3202.0018.00		CAP 1/8"	1	
2	3609.0156.00		SCREW M8X55	4	
3	1220.0045.00		VALVE KIT	6	
4	1210.0049.00	A-D	O-RING 1,78X12,42	6	
5	3009.0129.00	A	VALVE SEAT	6	
6	3604.0028.00	A	SUC./DEL. VALVE	6	
7	1802.0192.00	A	SPRING	6	
8	1205.0033.00	A	VALVE CAGE	6	
9	0601.0273.00		SPACER	2	
10	1210.0151.00	A-D	O-RING 1,78X17,17	6	
11	3202.0236.00		PLUG	6	
12	1215.0271.00		REG. VAL KIT FOR AX 180 BAR	1	
13	1817.0053.00		KNOB	1	
14	3622.0030.00	E	STOP ADJUSTABLE NUT M4X4	1	
15	1227.0022.00	E	NUT	1	
16	1802.0182.00	E	SPRING	1	
17	0204.0046.00	E	ADJUSTABLE KNOB	1	
18	0009.0207.00	E	SEAT	1	
19	2409.0077.00	E-F	PISTON ROD	1	
20	1210.0406.00	E-F	O-RING	1	
21	0009.0206.00	E-F	RING	1	
22	0204.0045.00	E	HOUSING	1	
23	1210.0407.00	E-F	O-RING	1	
24	1210.0405.00	E-F	O-RING	1	
25	0009.0205.00	E-F	RING	1	
26	1210.0404.00	E-F	O-RING	1	
27	0009.0204.00	E-F	RING	1	
28	3002.0508.00	E-F	HOUSING WITH BALL	1	
29	3009.0122.00	E-F	SEAT	1	
30	1210.0403.00	E-F	O-RING	1	
31	3009.0013.00		VALVE SEAT	1	
32	1210.0356.00	B-D	O-RING 1,78X25,12	3	
33	1241.0050.00	B	PISTON SEAL Ø14	3	
34	0019.0103.00	D	SEALING RING	3	
35	3201.0018.00		OIL LEVEL PLUG	1	
36	1802.0153.00		SPRING	3	
37	2409.0089.00	C	PISTON	3	
38	0009.0221.00	C	RING	3	
39	0009.0220.00	C	RING Ø14	3	
51	0403.0135.00		PUMP CRANKCASE	1	
52	3609.0005.00		SCREW M8X20	4	
53	3410.0295.00	E	INJECTOR BODY M22x1,5	1	M22X1,5
	3410.0298.00	E	INJECTOR BODY 3/8 NPT	1	NPT

POS. ITEM	CODICE PART No.	KIT KIT	DESCRIZIONE DESCRIPTION	Q.tà Qty.	MODELLI MODELS
54	1210.0049.00	D-E F	O-RING 1,78X 12,42	1	
55	1210.0040.00	E-F	O-RING 1,78X 15,6	1	
56	3410.0302.00		INJECTOR BODY KIT M22X1,5	1	M22X1,5
	3410.0303.00		INJECTOR BODY KIT 3/8 NPT	1	NPT
57	1802.0197.00	E	SPRING	1	
58	2409.0086.00	E	CHECK VALVE	1	
59	1210.0397.00	E-F	O-RING	1	
60	2409.0091.00		CHECK VALVE KIT	1	
61	0009.0219.00		RING	3	
62	0009.0230.00	B	RING	3	
63	1241.0055.00	B	PISTON SEAL 150 BAR	3	2520 G - 3020 G 3522 G
	1241.0056.00	B	PISTON SEAL 180 BAR	3	3025 G
64	3200.0017.00		PLUG 1/8X8	1	
65	3200.0007.00		PLUG 3/8 GAS OT58	1	
66	2803.0435.00		INJECTOR KIT	1	
67	2803.0425.00		HOSE BARB FITTING	1	
68	2812.0067.00		O-RING	1	
69	3003.0026.00		BALL	1	
70	1802.0180.00		SPRING	1	
71	3218.0299.00		PUMP VALVE CHAMBER	1	
72	3200.0017.00		PLUG 1/8X8	1	
77	2800.0081.00		GARDEN HOSE TAIL	1	

E Version -(albero femmina / hollow shaft 5/8")

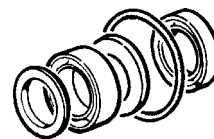
POS. ITEM	CODICE PART No.	KIT KIT	DESCRIZIONE DESCRIPTION	Q.tà Qty.	MODELLI MODELS
78	3609.0005.00		SCREW M8X20	1	
79	2816.0025.00		THRUST BEARING	1	
80	0436.0016.00		AXIAL BEARING	1	
81	0001.0431.00		ECCENTRIC SHAFT 6"	1	2020 E
	0001.0417.00		ECCENTRIC SHAFT 8"	1	2520 E
	0001.0419.00		ECCENTRIC SHAFT 9"	1	3020 E
82	0438.0076.00		BALL BEARING 40X80X18 mm	1	
83	0001.0422.00		ECCENTRIC SHAFT 5/8"	1	
84	1210.0429.00	D	O-RING	1	
85	0019.0034.00	D	SEALING RING 40X55X7	1	
86	3002.0538.00		SUPPORT	1	
87	3200.0071.00		PLUG G3/8	1	

G Version -(albero femmina / hollow shaft 3/4")

POS. ITEM	CODICE PART No.	KIT KIT	DESCRIZIONE DESCRIPTION	Q.tà Qty.	MODELLI MODELS
41	3200.0071.00		PLUG G3/8	1	
42	3002.0522.00		SUPPORT	1	
43	0019.0034.00	D	SEALING RING 40X55X7	1	
44	1210.0429.00	D	O-RING	1	
45	0001.0395.00		ECCENTRIC SHAFT 3/4"	1	
46	0438.0076.00		BALL BEARING 40X80X18 mm	1	
47	0001.0419.00		ECCENTRIC SHAFT 9°	1	3025 G
	0001.0420.00		ECCENTRIC SHAFT 10°30'	1	3522 G
	0001.0417.00		ECCENTRIC SHAFT 8°	1	2520 G
	0001.0418.00		ECCENTRIC SHAFT 8°30'	1	3020 G
48	0436.0016.00		AXIAL BEARING	1	2520 G - 3020 G 3522 G
	0436.0018.00		AXIAL BEARING	1	3025 G
49	2816.0025.00		THRUST BEARING	1	
50	3609.0005.00		SCREW M8X20	1	

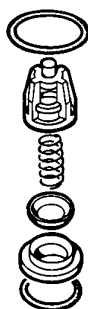
KIT GUARNIZIONI PISTONE / PISTON SEAL KIT 150 bar 5019.0077.00 - 180 bar 5019.0078.00

KIT B



5019.0077.00			5019.0078.00		
POS. ITEM	CODICE PART No.	Q.tà Qty.	POS. ITEM	CODICE PART No.	Q.tà Qty.
32	1210.0356.00	3	32	1210.0356.00	3
33	1241.0050.00	3	33	1241.0050.00	3
62	0009.0230.00	3	62	0009.0230.00	3
63	1241.0055.00	3	63	1241.0056.00	3

KIT VALVOLA ASP-MAND. COMPLETE VALVE KIT 5025.0014.00

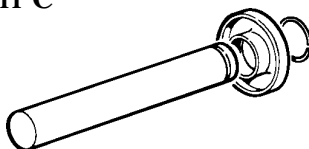


KIT A

5025.0014.00		
POS. ITEM	CODICE PART No.	Q.tà Qty.
4	1210.0049.00	6
5	3009.0129.00	6
6	3604.0028.00	6
7	1802.0192.00	6
8	1205.0033.00	6
10	1210.0151.00	6

KIT PISTONE / PISTON KIT Ø 14 mm 2409.0092.00

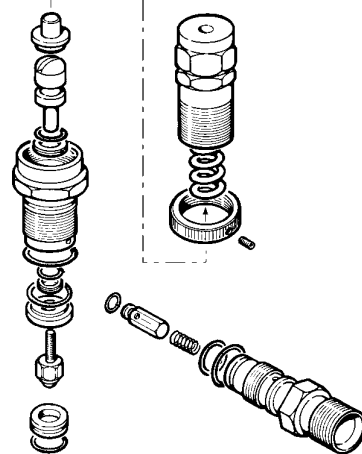
KIT C



2409.0092.00		
POS. ITEM	CODICE PART No.	Q.tà Qty.
37	2409.0089.00	3
38	0009.0221.00	3
39	0009.0220.00	3

KIT REVISIONE / OVERHAUL KIT M22 x 1,5 3/8" NPT 5026.0142.00 5026.0143.00

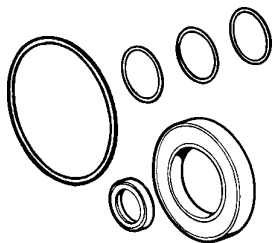
KIT E



5026.0142.00			5026.0143.00		
POS. ITEM	CODICE PART No.	Q.tà Qty.	POS. ITEM	CODICE PART No.	Q.tà Qty.
14	3622.0030.00	1	14	3622.0030.00	1
15	1227.0022.00	1	15	1227.0022.00	1
16	1802.0182.00	1	16	1802.0182.00	1
17	0204.0046.00	1	17	0204.0046.00	1
18	0009.0207.00	1	18	0009.0207.00	1
19	2409.0077.00	1	19	2409.0077.00	1
20	1210.0406.00	1	20	1210.0406.00	1
21	0009.0206.00	1	21	0009.0206.00	1
22	0204.0045.00	1	22	0204.0045.00	1
23	1210.0407.00	1	23	1210.0407.00	1
24	1210.0405.00	1	24	1210.0405.00	1
25	0009.0205.00	1	25	0009.0205.00	1
26	1210.0404.00	1	26	1210.0404.00	1
27	0009.0204.00	1	27	0009.0204.00	1
28	3002.0508.00	1	28	3002.0508.00	1
29	3009.0122.00	1	29	3009.0122.00	1
30	1210.0403.00	1	30	1210.0403.00	1
53	3410.0295.00	1	53	3410.0298.00	1
54	1210.0049.00	1	54	1210.0049.00	1
55	1210.0040.00	1	55	1210.0040.00	1
57	1802.0197.00	1	57	1802.0197.00	1
58	2409.0086.00	1	58	2409.0086.00	1
59	1210.0397.00	1	59	1210.0397.00	1

KIT GUARNIZIONI POMPA / SEAL KIT 5019.0079.00

KIT D



5019.0079.00		
POS. ITEM	CODICE PART No.	Q.tà Qty.
4	1210.0049.00	6
10	1210.0151.00	6
32	1210.0356.00	3
34	0019.0103.00	3
43	0019.0034.00	1
44	1210.0429.00	1
54	1210.0049.00	1

KIT MANUTENZIONE MAINTENANCE KIT 5026.0144.00

KIT F



5026.0144.00		
POS. ITEM	CODICE PART No.	Q.tà Qty.
19	2409.0077.00	1
20	1210.0406.00	1
21	0009.0206.00	1
23	1210.0407.00	1
24	1210.0405.00	1
25	0009.0205.00	1
26	1210.0404.00	1
27	0009.0204.00	1
28	3002.0508.00	1
29	3009.0122.00	1
30	1210.0403.00	1
54	1210.0049.00	1
55	1210.0040.00	1
59	1210.0397.00	1

Altri KIT
Other KITS

vedi pagine:
see pages:

55