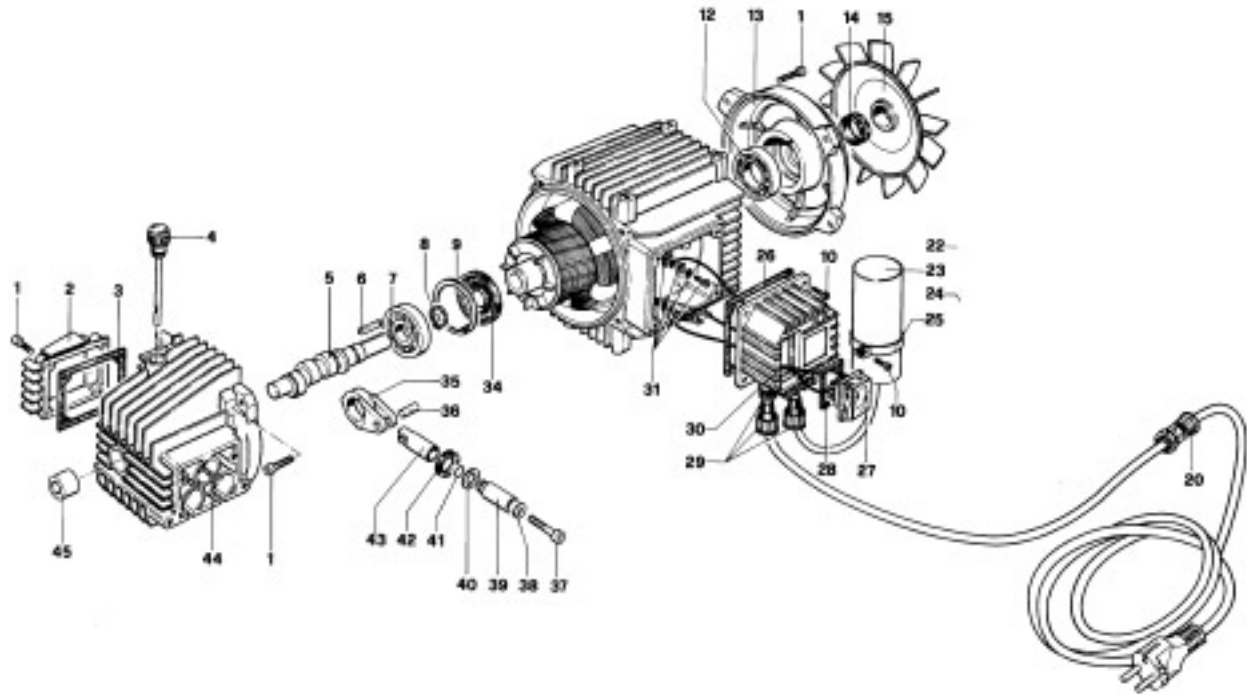


HPV motor/pump



PosCode	Description	Qty	Pos Code	Description	Qty	Pos Code	Description	Qty
1	1260780 Screw M5x25	12	21	1261211 Plug CEE (7) VII	1	39	1341000Piston Ø 15mm, 2G12	3
2	1340030 Side Cover	1	21	1267420 Plug SEV	1	39	1342740Piston Ø 15mm, 2G15	3
3	1340040 Gasket	1		1261821 Plug 3- 12 NEMA 5- 15	1	40	1341010 Washer	3
4	1340050 Dipstick	1		1343010 Plug D	1	41	600180 O-Ring Ø 7.66x1.78mm	3
5	1340170 Solid Shaft Ø 16mm	1	22	1342010 Handle - Black (not shown)	1	42	1260460 Oil Seal 15x24x5mm	3
5	1340300 Solid Shaft Ø 16mm - (2)	1		1342011 Handle - Red (not shown)	1	43	1340070 Guiding Piston	3
	1341490 Solid Shaft Ø 16mm - (3)	1	23	1263550 Capacitor 80 µF	1	44	1344050 Pump Housing	1
6	880111 Key 5x5x28mm	1	25	1340280 Bracket	1	45	1260050 Roller Bearing	1
7	1341070 Bearing 17x47x14 6303	1	26	1340780 Gasket	1	47	4930 115V - 60Hz Motor	1
8	480890 Circlip Ø _E 17mm	1		1341221 Luminous Switch 8A	1			
9	111120 Circlip Ø ₁ 47mm	1	27	1263110 Luminous Switch with Safety 16A1	1			
10	1261560 Switch Cover Screw(not shown)	6		1263780 Luminous Switch Cut Out 18A1	1			
11	1340700 Back Cover Black(not shown)	1		1263320 Luminous Switch Device 20A1	1			
	1340701 Back Cover Red (not shown)	1	28	1341140 Seal for Switch	1			
12	1340340 Bearing 20x47x14 6204- 2Z	1		1265080 Gasket for Switch	1			
13	1340320 Shield	1	29	1349070 Cord Lock	1			
14	1340350 V Ring Seal	1		1340480 Switch Box	1			
15	1260300 Fan	1	30	1340470 Switch Box	1			
16	1200430 Screw TCEI M6x16(not shown)	8		1269100 Ground Terminal	1			
17	1260351 Detergent Plug	1	31	1341080 Seal 17x47x7mm	1			
18	1340810 Detergent Cap- Yellow	1	34	1341080 Seal 17x47x7mm	1			
	1340811 Detergent Cap - Black	1	35	1340060 Con Rod	3			
19	390210 O-Ring Ø 39.69x3.53mm	1	36	1340080 Piston Pin Ø _E 7x18mm	3			
	1262370 Cord Guide	1	37	1341050 Screw TCEI M6x40mm	3			
20	1263760 Cord Guide	1		850670 Screw TCEI M6x20mm	3			
	1261210 GFI 35' Cable	1	38	1341020 Washer 6x10x1mm	3			

Repair Kits

Kit 1877 Kit 2623 Kit 1876
 2G12 Pistons 2G15 Pistons Oil Seals

Pos	Qty.	Pos	Qty.	Pos	Qty.
38	3	38	3	3	1
39	3	39	3	34	1
41	3	41	3	41	3
				42	3