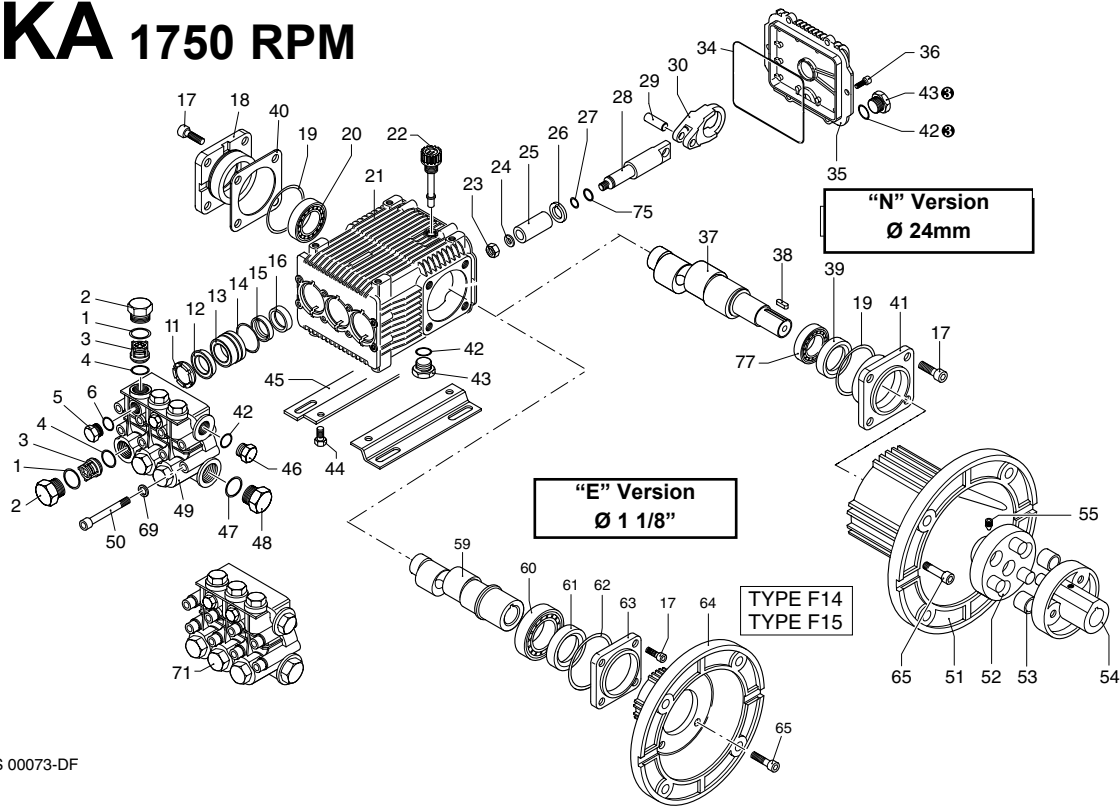


# RKA 1750 RPM

- RKA 5.5G20H
- RKA 5.5G26H
- RKA 5.5G13
  
- RKA 4.5G35H
- RKA 4.5G25
- RKA 5.5G13
- RKA 5.5G20
  
- RKA 4G40H
- RKA 4.5G17
- RKA 4.5G25H
- RKA 4.5G30H
  
- RKA 4G20
- RKA 4G30
- RKA 4G30H
- RKA 4G35H
  
- RKA 3.5G22
- RKA 3.5G25
- RKA 3.5G30H
- RKA 3.5G40H



PS 00073-DF

Pos Code	Description	Qty	Pos Code	Description	Qty	Pos Code	Description	Qty	
1	960160 O-Ring	6	26	1380950 Spacer	3	53	1321670 Bushing	6	
2	960090 Valve Cap - Brass	6	27	600180 O-Ring	3	54	1380330 Motor Coupling Ø 1" 1/8	1	
3	960850 Valve Cap - Stainless Steel	6	28	1380920 Piston Guide	3		1380350 Motor Coupling Ø 1" 3/8	1	
4	1380740 Valve Cap - Nickel Plated	6	29	1380060 Piston Pin	3	55	1380180 Grub Screw	1	
5	1389051 Complete Valve	6	30	1383050 Con Rod <3000 PSI - Alum.	3	59	2280260 Hollow Shaft Ø1" 1/8	1	
6	880830 O-Ring	6		1383020 Con Rod >3000 PSI - Bronze	3		2280200 Hollow Shaft Ø1" 1/8	1	
11	880581 Plug - Brass	2	34	1780510 O-Ring	1		2280270 Hollow Shaft Ø1" 1/8	1	
12	1380690 Plug - Nickel Plated	2	35	1789010 Complete Cover	1	60	1380320 Bearing	1	
13	820510 O-Ring	2	36	1343510 Screw	6	61	621170 Seal	1	
14	960110 Support Ring Ø18mm	3	37	2280100 Solid Shaft - (5)	1	62	1380220 O-Ring	1	
15	840300 Support Ring Ø20mm	3		2280090 Solid Shaft - (4)	1	63	1380210 Shaft Cover	1	
16	880320 Gasket Ø18mm	3		2280070 Solid Shaft - (2)	1	64	1380360 El.Motor Flange NEMA 184TC1	1	
17	840290 Gasket Ø20mm	3	38	1380520 Key	1	65	620610 Screw	4	
18	1380090 Piston Guide Ø18mm	3	39	180340 Seal	1	69	1381850 Washer	8	
19	1380150 Piston Guide Ø20mm	3	40	1380120 0.1mm Shim	1-3	71	1389270 Pump Head Ass. Ø18	1	
20	961240 O-Ring	3		1380130 0.2mm Shim	1-3		1389272 Pump Head Ass. Ø18	1	
21	880330 Gasket Ø18mm	3		1380530 0.25mm Shim	1-3		1389271 Pump Head Ass. Ø18	1	
22	840280 Gasket Ø20mm	3		1382810 0.05mm Shim	1-3		1389208 Pump Head Ass. Ø20	1	
23	1383130 Seal	3	41	1380040 Open Bearing Support	1		1389212 Pump Head Ass. Ø20	1	
24	17850370 Screw	8	42	740290 O-Ring	3	75	1080401 Ring	3	
25	1380050 Closed Bearing Support	1	43	1980740 Plug	2	77	840370 Bearing	1	
	640030 O-Ring	2	44	1260470 Screw	4				
	2280240 Bearing	1	45	1380141 Base	2				
	1382770 Pump Housing	1	46	1980740 Plug - Brass	1				
	880130 Oil Cap	1		1981180 Plug - Nickel Plated	1				
	962010 Nut	3	47	180101 O-Ring	1				
	962000 Washer	3	48	820361 Plug - Brass	1				
	1380940 Ceramic Piston Ø18mm	3		960870 Plug - Nickel Plated	1				
	1380930 Ceramic Piston Ø20mm	3	49	1381071 Pump Head Ø18mm	1				
				1381070 Pump Head Ø18mm	1				
				1380020 Pump Head Ø20mm	1				
				1380680 Pump Head Ø20mm	1				
				50	820150 Screw	8			
				51	1380490 El. Motor Flange NEMA - 56C1	1			
				52	1380300 Pump Coupling	1			

## Legend

<b>Ø 18 mm</b>		RKA 4.5 G25H	■●
RKA 3.5 G22	■▲▲	RKA 4.5 G30H	■●■
RKA 3.5 G25	■▲▲	RKA 4.5 G35H	■●■
RKA 3.5 G30H	■●▲	RKA 4.5 G25	■▲■
RKA 3.5 G40H	■▲▲		
<b>Ø 20 mm</b>			
RKA 4 G20	■▲▲	RKA 5.5 G13	□▼
RKA 4 G30	■▲▲	RKA 5.5 G20	□▼
RKA 4 G30H	■●▲	RKA 5.5 G20H	□●▼
RKA 4 G35H	■▲▲	RKA 5.5 G26H	□●▼
RKA 4 G40H	■▲▲		
RKA 4.5 G17	■▲▲		

## Repair Kits

Kit 1855		Kit 1856		Kit 2864	
Oil Seals		Oil Seals		Valves	
for N version		for E version			
Pos	Qty.	Pos	Qty.	Pos	Qty.
16	3	16	3	3	6
19	2	19	1	4	6
34	1	34	1		
39	1	61	1		
		62	1		
Water Seals		Support Ring		Piston	
1857 - Ø 18mm		1829 - Ø 18mm		2757 - Ø 18mm	
1887 - Ø 20mm		1815 - Ø 20mm		2758 - Ø 20mm	

## For High Temp Use

Code	Description	Qty.	Pos	Qty.	Pos	Qty.	Pos	Qty.
2809	Water Seal in 180P F Ø 18 mm	1	12	3	11	3	25	3
2810	Water Seal in 180P F Ø 20 mm	1	14	3				
			15	3				