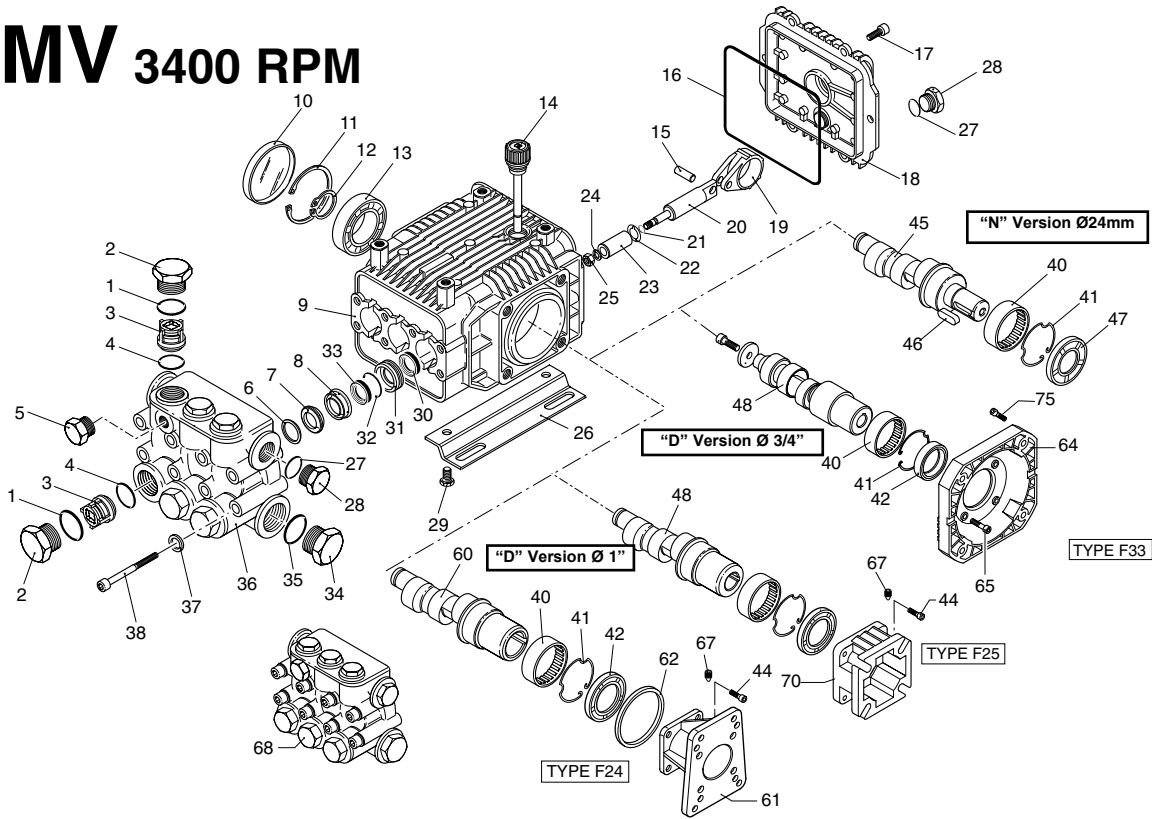


# XMV 3400 RPM

XMV 4G25  
XMV 4G30  
XMV 4G32

XMV 3.5G25  
XMV 3.5G30

XMV 25G26  
XMV 3G25  
XMV 3G27  
XMV 3G30



Pos	Code	Description	Qty	Pos	Code	Description	Qty	Pos	Code	Description	Qty
1	960160	O-Ring	6	24	1260100	Piston Washer	3	47	1260750	Seal	1
2	1260162	Valve Cap (442 in/lbs)	6	25	1260110	Nut (106 in/lbs)	3	48	1780340	Hollow Shaft Ø 3/4" - (9)	1
3	1269050	Complete Valve	6	26	1380141	Base (optional)	2		1780630	Hollow Shaft Ø 3/4" - (7)	1
4	880830	O-Ring	6	27	740290	Plug	2		1780590	Hollow Shaft Ø 1" - (9)	1
5	620301	Plug	1	28	1980740	O-Ring	2	60	1780330	Hollow Shaft Ø 1" - (7)	1
6	1780130	Support Ring Ø 15mm	3	29	1260470	Screw (optional)	4		1780320	Hollow Shaft Ø 1" - (5)	1
7	1260130	Gasket Ø 15mm	3	30	1260460	Oil Seal	3	61	1597	Gas Engine Flange for 1" Shaft	1
8	1780090	Piston Guide Ø 15mm	3	31	1780100	Rear Piston Guide Ø 15mm	3	62	1780430	Bushing	1
9	1780010	Pump Body	1	32	770260	O-Ring	2	64	1780830	Electric motor Flange	1
10	1266740	Bearing Cap	1	33	1260440	Gasket Ø 15mm	3	65	620610	Bolt	1
11	1260790	Circlip	1	34	820361	Plug	1	67	820440	Grub Screw	1
12	1780550	Snap Ring	1	35	180101	O-Ring	1	68	1789200	Pump Head Pre-asm.	1
13	1780490	Bearing	1	36	1780380	Pump Head (133 in/lbs)	1	70	1780580	Gas Engine Flange for 3/4" Shaft	1
14	880130	Oil Cap/Dipstick	1	37	1381550	Lockwasher	8				
15	1780050	Piston Pin	3	38	1322730	Screw (133 in/lbs)	8				
16	1780510	O-Ring	1	40	1321190	Bearing	1				
17	1200430	Screw (106 in/lbs)	6	41	1321080	Snap Ring	1				
18	1789010	Crankcase Cover, complete	1	42	480671	Oil Seal	1				
19	1780040	Con Rod	3	44	180030	Screw	4				
20	1780060	Guiding Piston	3		1780231	Solid Shaft - (4)	1				
21	480480	O-Ring	3	45	1780211	Solid Shaft - (4)	1				
22	1260091	Washer	3		1780191	Solid Shaft - (4)	1				
23	1780070	Piston Ø 15mm	3	46	1380520	Key	1				

## Repair Kits

Kit 2739	Kit 2786	Kit 1864			
Piston Ø 15mm	Support Rings Ø 15mm	Valves			
Pos	Qty.	Pos	Qty.	Pos	Qty.
23	3	6	3	3	6
				4	6
Kit 2741	Kit 2747	Kit 2787			
Water Seals Ø 15mm	Oil Seals for N version	Oil Seals for D,E version			
Pos	Qty.	Pos	Qty.	Pos	Qty.
7	3	10	1	10	1
32	3	16	1	16	1
33	3	30	3	30	3
		47	1	42	1

## Legend

Ø 15 mm

XMV 3 G25	⊖	XMV 3.5 G25	⊖	XMV 4 G25	■
XMV 3 G27	⊖	XMV 3.5 G30	⊖	XMV 4 G30	■
XMV 3 G30	⊖			XMV 4 G32	■

## For High Temp Use

Code	Description	Qty.
2776	Water Seal in VITON Ø 15 mm	1
2817	Kit for up to 180°F Ø 15 mm	1