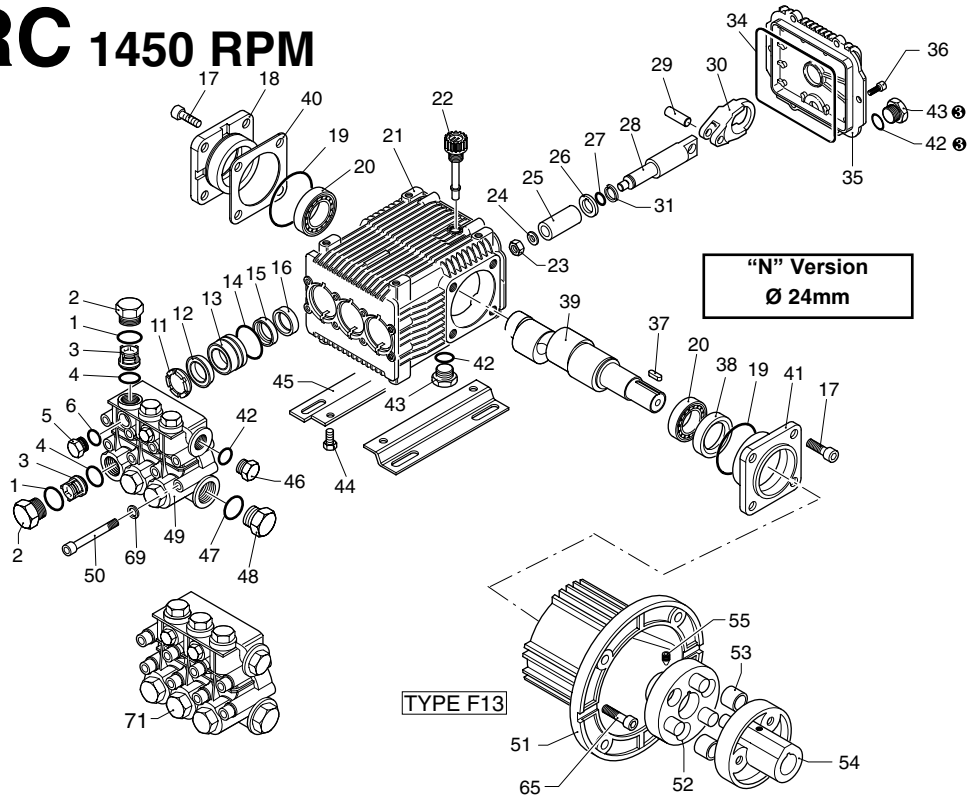


XRC 1450 RPM

XRC 18.20 H

XRC15.20 H
XRC 15.28 H

XRC 15.15
XRC 15.20



Pos	Code	Description	Qty
1	960160	O-Ring	6
2	960090	Valve Cap - Brass (478 in/lbs) ●	6
	960850	Valve Cap - S.S. (478 in/lbs) ▽	6
3	1380740	Valve Cap - N.P. (478 in/lbs) ▽	6
	889052	Complete Valve	6
4	880830	O-Ring	6
5	880581	Plug - Brass ●	2
	1380690	Plug - Nickel Plated ◻	2
6	820510	O-Ring	2
11	960110	Support Ring Ø 18mm ■	3
	840320	Support Ring Ø 20mm □	3
12	880320	Gasket Ø 18mm ■	3
	840330	Gasket Ø 20mm □	3
13	1380090	Piston Guide Ø 18mm ■	3
	1380150	Piston Guide Ø 20mm □	3
14	961240	O-Ring	3
15	880330	Gasket Ø 18mm ■	3
	840280	Gasket Ø 20mm □	3
16	880520	Oil Seal	3
17	850370	Screw (217 in/lbs)	8
18	1380050	Closed Bearing Support	1
19	640030	O-Ring	2
20	840370	Bearing	1
21	1380010	Pump Housing (old version)	1
21	1382770	Pump Housing (new version)	1
22	880130	Oil Cap/Dipstick	1
23	962010	Nut (106 in/lbs)	3
24	962000	Washer	3
25	1380940	Ceramic Piston Ø 18mm ■	3
	1380930	Ceramic Piston Ø 20mm □	3
26	1380950	Washer	3
27	600180	O-Ring	3

Pos	Code	Description	Qty
28	1380920	Piston Guide	3
29	1380060	Piston Pin	3
30	1380440	Con Rod <3000 PSI - Alum.	3
	1380290	Con Rod >3000 PSI - Bronze	3
31	1260430	Snap Ring J25 (not shown)	1
32	1260250	Oil Sight Glass (not shown)	1
33	1140450	O-Ring (not shown)	1
34	1380170	Gasket (old version)	1
34	1780510	Gasket (new version)	1
35	1389010	Back Cover (old version)	1
35	1789010	BackCover (new version)	1
36	1381680	Screw (89 in/lbs, old version)	6
36	1200430	Screw (89 in/lbs, new version)	6
37	1380520	Key	1
38	180340	Oil Seal	1
39	1382460	Solid NL Shaft - (2)	1
	1380470	Solid Shaft - (4)	1
40	1380530	Shim 0.5mm	1-2
	1380120	Shim 0.1mm	1-2
	1380130	Shim 0.2mm	1-2
41	1380040	Open Bearing Support	1
42	740290	O-Ring	2
43	880530	Plug	1
44	1260470	Screw	4
45	1380141	Base	2
46	880530	Plug - Brass ●	1
	960860	Plug - Nickel Plated ◻	1
47	180101	O-Ring	1
48	820360	Plug - Brass ●	1
	960870	Plug - Nickel Plated ◻	1

Pos	Code	Description	Qty
49	1381071	Pump Head Ø 18mm Brass ●	1
	1381070	Pump Head Ø 18mm N.P. ◻	1
	1380020	Pump Head Ø 20mm Brass	1
	1380680	Pump Head Ø 20mm N.P. □	1
50	820150	Screw (217 in/lbs)	8
51	1380380	Motor Flange B3/B14	1
52	1380300	Pump Coupling	1
53	1321670	Bushing	6
54	1380330	Motor Coupling Ø 1 1/8"	1
55	1380180	Grub Screw	1
65	620610	Screw	4
69	1381850	Lockwasher	8
70	1080401	Back-up Ring	3
71	1389224	Pump Head Pre-ass. 18mm ■	1
	1389212	Pump Head Pre-ass. 20mm □	1

Version

25	880291	Piston Ø 18mm	3
	880780	Piston Ø 20mm	3
26	960460	Washer	3
27	880840	O-Ring	3
28	1380070	Piston Guide	3
75	1940120	Ring	3

Repair Kits

Water Seals		Pistons		Support Rings	
1857 - Ø 18mm		2757 - Ø 18mm		1815 - Ø 20mm	
1887 - Ø 20mm		2758 - Ø 20mm		1829 - Ø 20mm	
Pos	Qty.	Pos	Qty.	Pos	Qty.
12	3	25	3	11	3
14	3				
15	3				

Kit 2786
Oil Seals

Kit 2864
Valves

Legend

Ø 18 mm		Ø 20 mm	
XRC 15.15	■●	XRC 18.20 H	□ ▽
XRC 15.20	■●		
XRC 15.20 H	■◻ ▽		
XRC 15.28 H	■◻ ▽		

For High Temp Use

Code	Description	Qty.
2809	Water Seal in VITON Ø 18 mm	■ 1
2810	Water Seal in VITON Ø 20 mm	□ 1
2819	Kit for up to 180P F Ø 18 mm	■ 1
2820	Kit for up to 180P F Ø 20 mm	□ 1

Pos	Qty.	Pos	Qty.
16	3	3	6
19	2	4	6
34	1		
39	1		