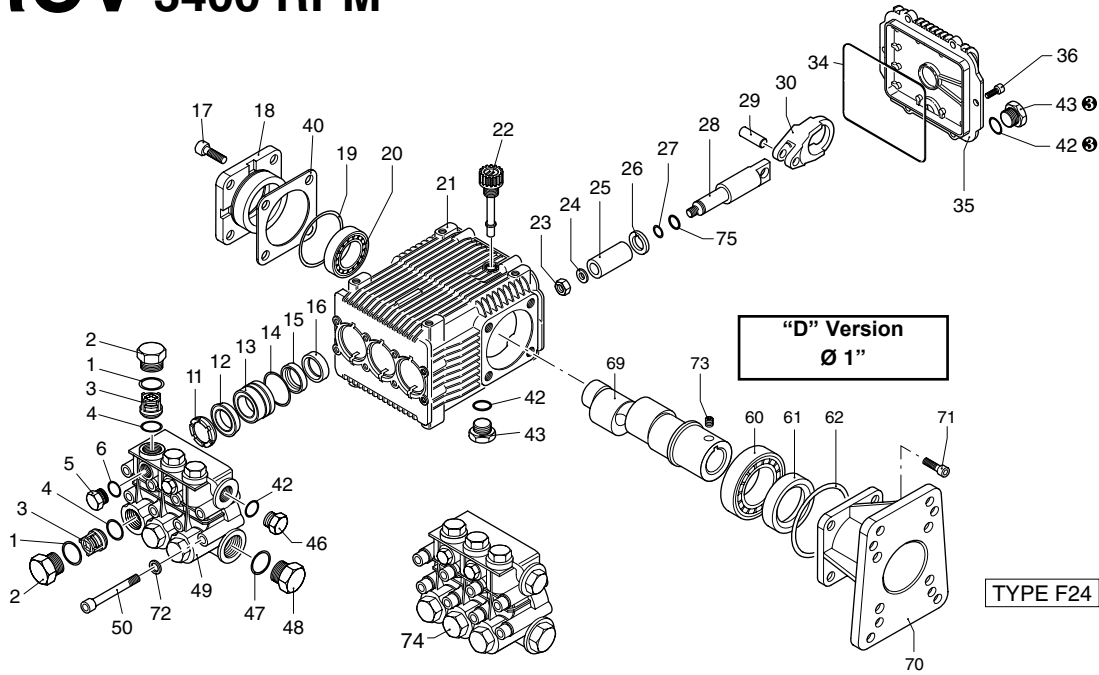


# XRCV 3400 RPM

XRCV 4G35H  
XRCV 4G40H  
XRCV 4G20  
XRCV 4G30A  
XRCV 4G32  
XRCV 3.5G35H  
XRCV 3.5G40H  
XRCV 3.5G30A  
XRCV 3.5G32  
XRCV 3.5G25  
XRCV 3.5G30  
XRCV 3.5G33



Pos	Code	Description	Qty	Pos	Code	Description	Qty	Pos	Code	Description	Qty
1	960160	O-Ring	6	27	600180	O-Ring	3	61	621170	Oil Seal	1
2	960090	Valve Cap - Brass(478 in/lbs) ●	6	28	1380920	Piston Guide	3	62	1380220	O-Ring	1
3	960850	Valve Cap - S.S. (478 in/lbs) □	6	29	1380060	Piston Pin	3	69	1381360	Hollow Shaft Ø 1 1/8" - (2) ▲	1
4	1380740	Valve Cap - N.P. (478 in/lbs) ⊖	6	30	1380440	Con Rod <3200 PSI - Alum.	3	70	1380590	Hollow Shaft Ø 1" - (2) ▼	1
5	889052	Complete Valve	6	31	1380290	Con Rod >3200 PSI - Bronze	3	71	1597	Flange w/ Bosses	15
6	880830	O-Ring	6	32	1260430	Snap Ring J25 (not shown)	1	72	1597A	Flange w/o Bosses	15
11	880581	Plug - Brass	2	33	1260250	Oil Sight Glass (not shown)	1	73	180030	Screw	4
12	820510	O-Ring	2	34	1140450	O-Ring (not shown)	1	74	1381850	Lockwasher	8
13	960110	Support Ring Ø 18mm	3	35	1780510	Gasket	1	75	820440	Grub Screw	1
14	880320	Gasket Ø 18mm	3	36	1389010	Complete Cover	1	74	1389224	Head Pre-assem.	1
15	1380090	Piston Guide Ø 18mm	3	36	1343510	Screw (89 in/lbs)	6	75	1080401	Ring	3
16	961240	O-Ring	3	40	1380530	Shim .25 mm	1	<b>XRV Version</b>			
17	880330	Gasket Ø 18mm	3	40	1380120	Shim 0.1 mm	1-2	25	880291	Piston Ø18mm	3
18	880520	Seal	3	40	1380130	Shim 0.2 mm	1-2	26	960460	Washer	3
19	850370	Screw (217 in/lbs)	8	42	1380130	O-Ring	2	27	880840	O-Ring	3
20	1380050	Bearing Support	1	43	1980740	Plug - Brass	1	28	1380070	Piston Guide Ø18mm	3
21	640030	O-Ring	1	46	1980740	Plug - Brass ●	1	75	1940120	Ring	3
22	840370	Bearing	1	46	1981180	Plug - Nickel Plated □⊖	1				
23	1382770	Pump Housing	1	47	180101	O-Ring	1				
24	880130	Oil Cap/Dipstick	1	48	820360	Plug - Brass ●	1				
22a	1980710	Shipping Plug	1	48	960870	Plug - Nickel Plated □⊖	1				
23	962010	Nut (106 in/lbs)	3	49	1381071	Pump Head - Brass ●	1				
24	962000	Washer	3	49	1381070	Pump Head - N.P. □⊖	1				
25	1380940	Ceramic Piston Ø 18mm	3	50	820150	Screw (217 in/lbs)	8				
26	1380950	Spacer	3	60	1380320	Bearing	1				

## Repair Kits

Kit 2737 Piston Ø 18mm		Kit 1828 Valves		Kit 1857 Water Seals Ø 18mm	
Pos	Qty.	Pos	Qty.	Pos	Qty.
25	3	3	6	12	3
		4	6	14	3
				15	3

## Legend

Ø 18 mm

XRCV 3.5 G25	●▲	XRCV 4 G35H	□▼
XRCV 3.5 G30	●●	XRCV 4 G40H	□
XRCV 3.5 G33	●▲	XRCV 4 G20	□▼
XRCV 3.5 G35H	⊖▲	XRCV 4 G30A	●▼
XRCV 3.5 G40H	⊖▲	XRCV 4 G32	●▼

## For High Temp Use

Code	Description	Qty.
2809	Water Seal in VITON Ø 18 mm	1
2819	Kit for up to 180P F Ø 18 mm	1

Kit 1856 Oil Seals for D,E version		Kit 1829 Support Rings Ø 18mm	
Pos	Qty.	Pos	Qty.
16	3	11	3
19	1		
34	1		
61	1		
62	1		