

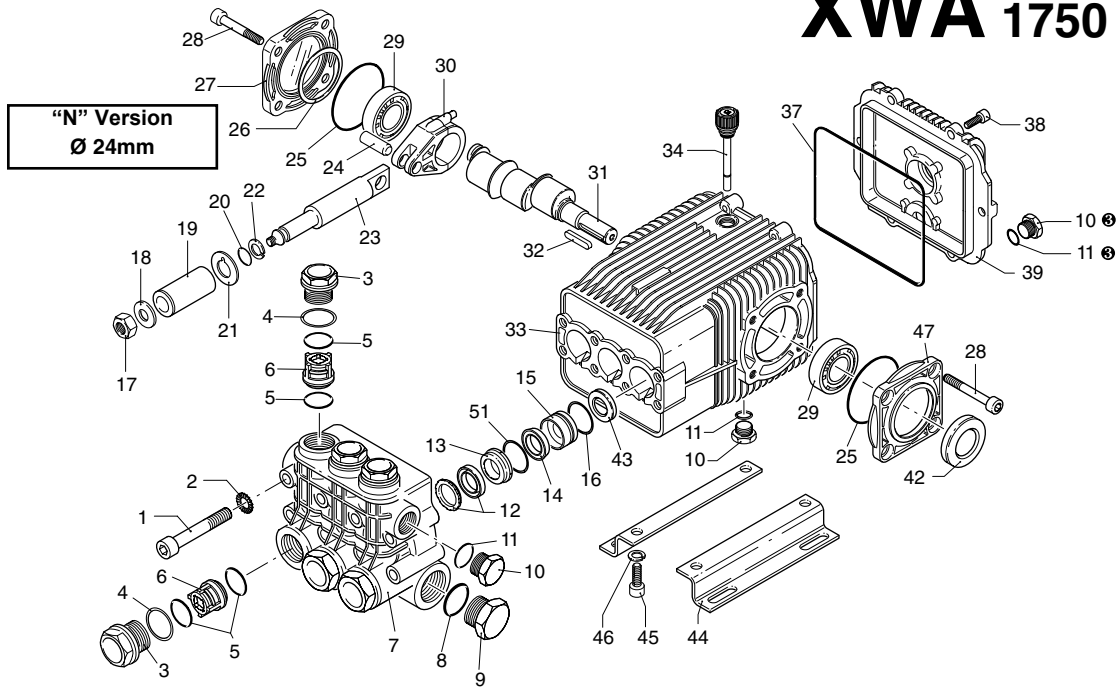
XWA 1750 RPM

XWA 9 G16
XWA 9 G24

XWA 8 G19
XWA 8 G29

XWA 7 G22
XWA 7 G32

XWA 5.5 G22
XWA 5.5 G30
XWA 5.5 G40



Pos	Code	Description	Qty	Pos	Code	Description	Qty	Pos	Code	Description	Qty
1	1940260	Screw (442 in/lbs)	8	19	1420430	Piston Ø 20mm	■ 3	39	1949010	Complete Rear Cover	1
2	650530	Lockwasher	8		1420120	Piston Ø 22mm	□ 3	40	1260430	Snap Ring	1
3	1940140	Valve Cap (602 in/lbs)	6	21	960460	Washer	3	42	820680	Seal Ring	1
4	1940150	Ring	6	20	880840	O-Ring	3	43	1940560	Seal Ring	3
5	1140450	O-Ring	12	22	1940120	Ring	3	44	1940370	Base	2
6	1149050	Complete Valve	6	23	1940070	Guiding Piston	3	45	1940380	Screw	4
7	1940020	Pump Head - 20 mm	■ 1	24	1940060	Piston Pin	3	46	200231	Washer	4
	1949200	Complete Head Assem.	■ 1	25	1941380	O-Ring	2	47	1941240	Open Side Cover	1
	1940021	Pump Head - 22 mm	□ 1		1941400	Shim 0.1 mm	1-2	51	1941220	O-Ring	
	1949201	Complete Head Assem.	□ 1	26	1941410	Shim 0.19 mm	1-2				
8	550350	O-Ring	1		1941420	Shim 0.25 mm	1-2				
9	1140300	Plug	1	27	1949011	Closed Side Cover	1				
10	1980740	Plug	2	28	850370	Screw (217 in/lbs)	8				
11	740290	O-Ring	2	29	1140410	Bearing	2				
12	1940440	Gasket w/ Ring Ø 20mm	■ 3	30	1940050	Con Rod (89 in/lbs)	3				
	1940270	Gasket w/ Ring Ø 22mm	□ 3		1940190	Solid Shaft - (3)	⊖ 1				
13	1940430	Front Piston Guide Ø 20mm	■ 3	31	1940170	Solid Shaft - (2)	∇ 1				
	1940200	Front Piston Guide Ø 22mm	□ 3		1940160	Solid Shaft - (1)	▲ 1				
14	1940470	Gasket Ø 20mm	■ 3	32	650250	Key	1				
	1940480	Gasket Ø 22mm	□ 3	33	1941330	Pump Housing	1				
15	1940450	Rear Piston Guide Ø 20mm	■ 3	34	1140370	Oil Cap/Dipstick	1				
	1940460	Rear Piston Guide Ø 22mm	□ 3	35	1260250	Oil Sight Glass	1				
16	820490	O-Ring	3	36	1140450	O-Ring	1				
17	1940570	Nut (106 in/lbs)	3	37	1940410	O-Ring	1				
18	1940580	Washer	3	38	1200430	Screw (89 in/lbs)	6				

Special Tool: 980069 - Packing Extractor

Repair Kits

Kit 2650		Kit 1891		Kit 2780	
Piston		Piston		Valves	
Ø 20mm - ■		Ø 22mm - □			
Pos	Qty.	Pos	Qty.	Pos	Qty.
19	3	19	3	5	12
				6	6

Kit 2782		Kit 2783		Kit 2781	
Water Seals		Water Seals		Oil Seals	
Ø 20mm - ■		Ø 22mm - □			
Pos	Qty.	Pos	Qty.	Pos	Qty.
12	3	12	3	25	2
13b	3	13b	3	36	1
14	3	14	3	37	1
16	3	16	3	42	1
				43	3

Kit 2784		Kit 2785	
Piston Guides		Piston Guides	
Ø 20mm - ■		Ø 22mm - □	
Pos	Qty.	Pos	Qty.
13	3	13	3
15	3	15	3

Legend

Ø 20 mm

Ø 22 mm

XWA 5.5 G22	⊖■	XWA 9 G16	▲□
XWA 5.5 G30	⊖■	XWA 9 G24	▲□
XWA 5.5 G30	⊖■		
XWA 5.5 G40	⊖■		
XWA 7 G22	∇■		
XWA 7 G32	∇■		
XWA 8 G19	▲■		
XWA 8 G29	▲■		

For High Temp Use

Code	Description	Qty.
2778	Water Seal in VITON Ø 20 mm	■ 1
2779	Water Seal in VITON Ø 22 mm	□ 1